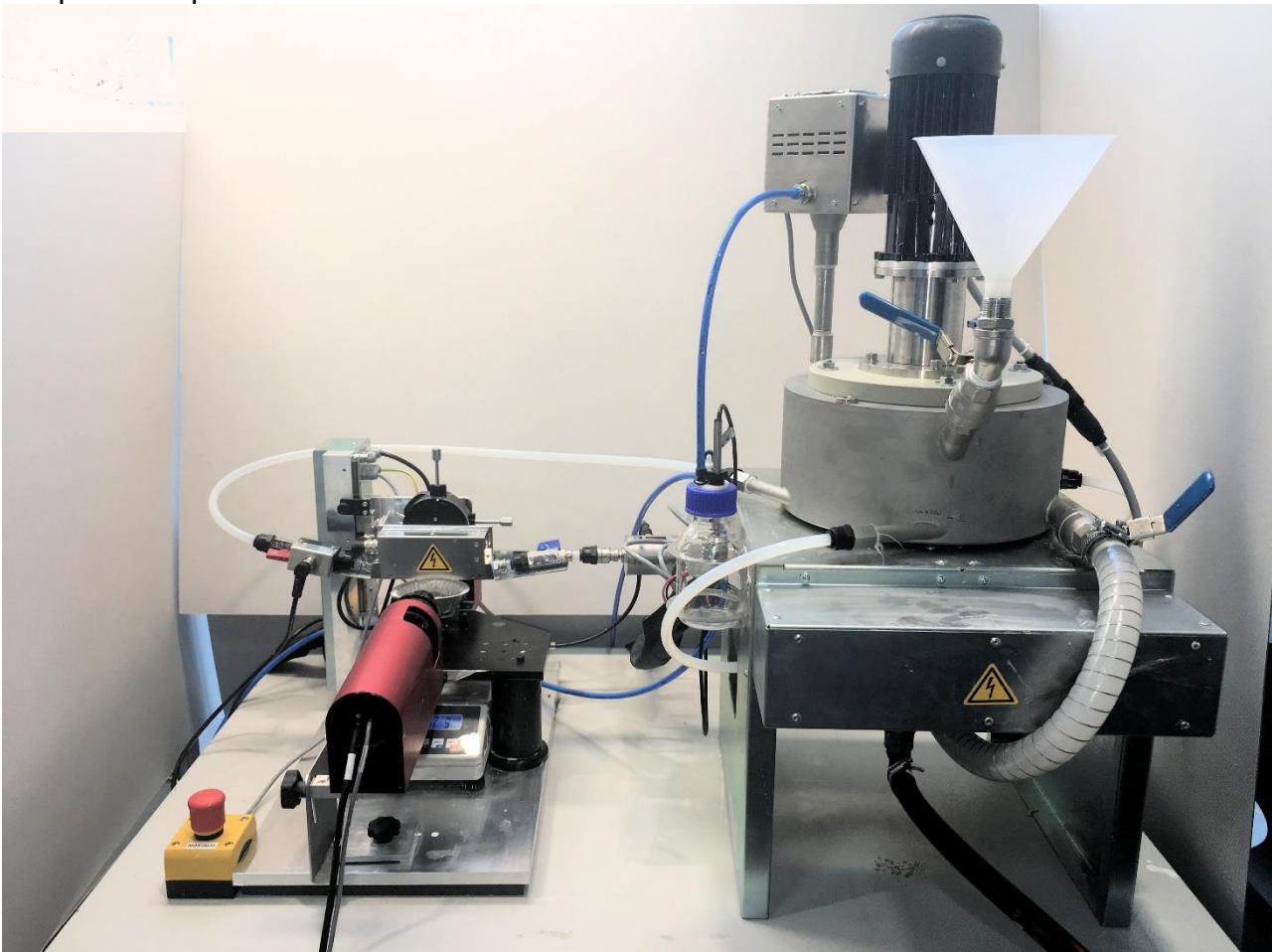


Durst Digital Glaze - RockJET™ DW-Kit

The Durst RockJET™ DropWatcher-Kit is designed to evaluate and optimize glaze formulations to be used in the Durst Gamma DG Digital Glaze / Structure Printer. It allows the generation and characterization of drops in flight by checking the drop formation and jetting stability. Both are crucial to understand needed adjustments to be made in the glaze formulation on lab scale and small glaze quantities.

This kit in combination and synchronized with a Drop Watcher zooming camera with high speed strobe light, computer, software and mouse available from different specialized companies such as ImageXpert (<http://jetxpert.com/products/jetxpert/>) guarantees fastest possible understanding of the requirements need to meet the specifications. It is highly suited to evaluate the influence of different glaze components and their amounts upon drop formation and jetting performance, starting from inorganic ceramic materials to all ranges of additives.

Furthermore, jetting reliability of the liquid to be analyzed in combination with a Gamma DG printer in production can be simulated.



The Gamma DG allows to lay down high glaze amounts to create a flat or structured 3D dimensions/pattern. The quality of these pattern is dependent on the glaze characteristic, drop formation and placement and if jetting reliability is on point over the printing period.

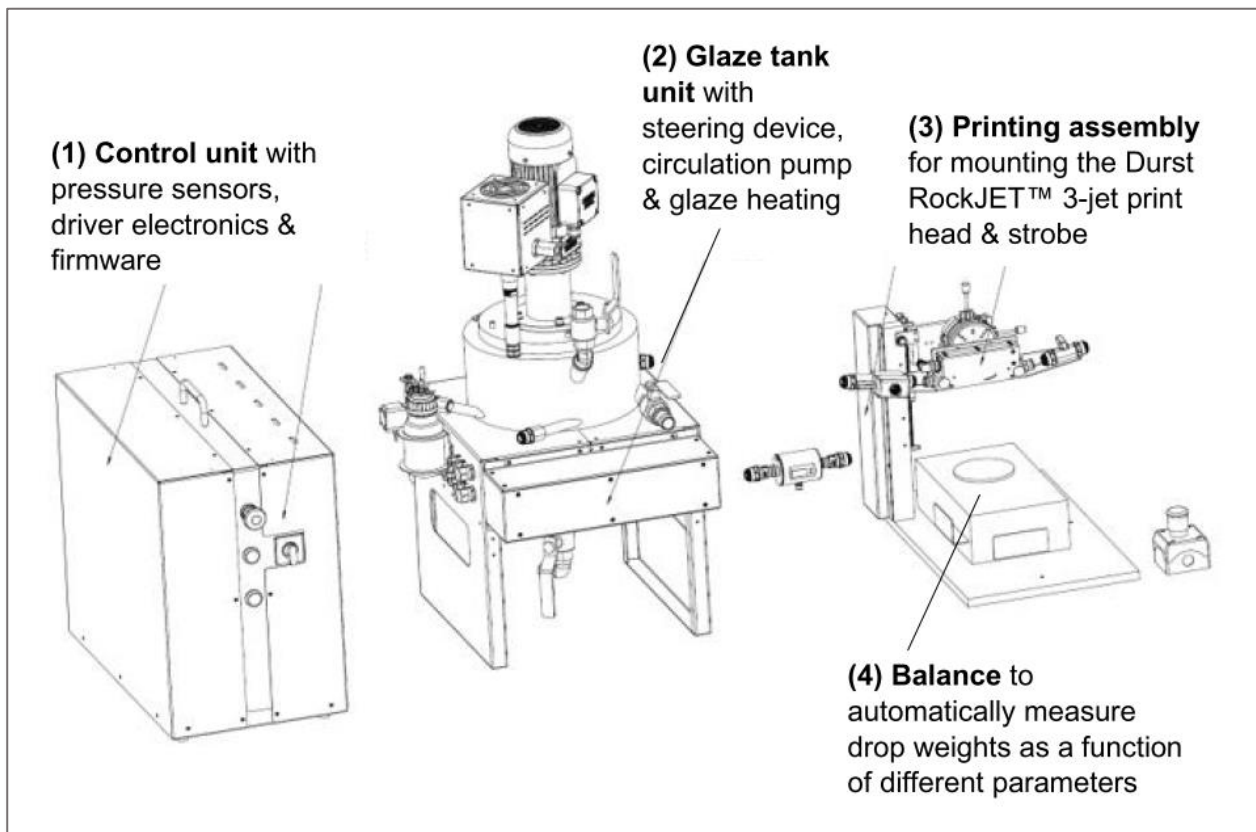
Durst Digital Glaze - RockJET™ DW-Kit

Technical Data

Power Supply	3-phase 400 V AC L1/L2/L3/N/PE (+/- 10%, 50Hz)
Power Consumption	1,4 kVA
Max. Current Consumption	16A
Main Glaze Tank Capacity	Min: 4 Liters Max. 9 Liters.
Space Requirement (approx.)	Width: 800 mm Length: 1200 mm Height: 1000 mm
Temperature range	+15°C to +25°C
Humidity	5-70% rF/RH non-condensing
Facilities	Sufficient fresh air supply Cleanliness

The Durst RockJET™ DropWatcher-Kit includes the following parts:

1. Control unit
2. Glaze tank unit
3. Printing assembly complete with a Durst RockJET™ 3-jet print head
4. Balance to automatically measure drop weights as a function of different parameters.
5. PC (Windows) with Durst software to drive the Durst RockJET™ DropWatcher-kit, but without monitor and mouse (not illustrated).



Durst Digital Glaze - RockJET™ DW-Kit

Durst RockJET™ 3-jet print head



Parts to be added to complete the system:

The following items to visualize drop formation and to measure drop velocity have to be added to complete the lab system:

- Drop Watcher camera with high speed strobe light, computer, software and mouse (illustration from ImageXpert)



All Rights Reserved - Patents and Patents Pending for Soft- and Hardware.

The latest technical developments are constantly being incorporated into Durst products. Descriptions, illustrations and specifications are therefore subject to be modified without notice to take account of the latest advances. All rights reserved on images and illustrations.